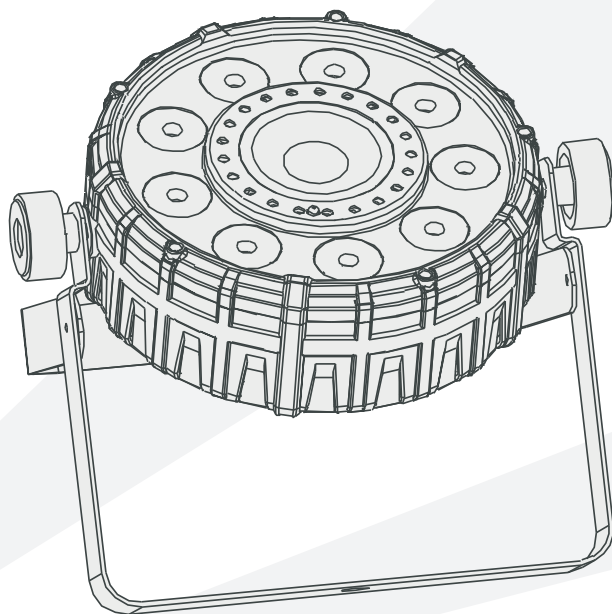


scand_{LIGHT}

DiscoPAR XL USER MANUAL



Version 1.0

Art nr: 943546



Unpacking Instructions

Read Manual before Operation

Dear user,

Thanks for choosing our LED device, believing this brand new product will bring you unlimited marvel and happiness. Before operating this device, please read this manual thoroughly, and retain it for future reference.

Warning Data

Please note the warnings in bold which will ensure the safe and smooth operation. These warnings are important to a certain extent.



Attention! Indicates a skill or other useful information for special situations.



Important! Indicates important information to protect personnel from incident or injury.



Caution! Prevent damage or injury from incorrect operation.

Warning!

If the external flexible cable or cord of this luminaire is damaged, it shall be replaced by a special cord or cord exclusively available from the manufacturer or his service agent. Shields, lenses or ultraviolet screens shall be changed if they have become visibly damaged to such an extent that their effectiveness is impaired, for example by cracks or deep scratches.

The lamps shall be changed if it has become damaged or thermally deformed.

Unpacking Instructions

As receiving a fixture, carefully unpacking the carton, checking contents to ensure that all parts are in good condition. Informing the shipper immediately and retaining packing material for inspection if any parts damaged from shipping or device damaged. Keeping packing materials as evidence for shipper's confirmation.



Attention!




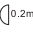
This unit is in perfect condition before delivery, please check all accessories when unpacking the unit. User should follow this user manual to operate this unit, and make sure that you are clear on all laser safety information and unit operation before power it on. Any wrong operation will make this unit out of warranty.


Carefully moving after receiving it, checking whether there is any damage from shipping, and all the accessories in it.

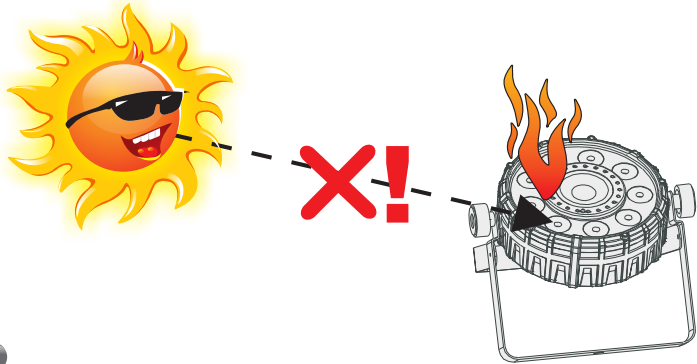
NAME	QTY
LED system	1
Power Cord	1
User manual	1
Packing Case	1

Safety Instructions


Safety Instructions

-  To protect the environment, please try to recycle the packing material as much as possible.
-  The projector is for indoor use only, IP20. Use only in dry locations. Keep this device away from rain and moisture, excessive heat, humidity and dust. Do not allow contact with water or any other fluids, or metallic objects
-  Don't throw this product away just as general trash, please deal with the product follow the abandon electronic product regulation in your country.
-  Locate the fixture in a well ventilated spot, away from any flammable materials and/or liquids. The fixture must be fixed at least 20cm from surrounding walls
- ◆ To avoid condensation to be formed inside, allow this unit to adapt to the surrounding temperatures when bringing it into a warm room after transport. Condense sometimes prevents the unit from working at full performance or may even cause damages
- ◆ Don't cover any ventilation openings as this may result in overheating.
- ◆ Don't install it on flammable object.
- ◆ Don not use it when maximum ambient temperature is higher than 40 degree,
- ◆ Unplug the unit when it is not used for a longer time or before replacing the bulb.
- ◆ Don't open the top cover to avoid unit damage.
- ◆ Please use the original packing when the device is to be transported.


 Never expose the lens to direct sunlight, even for a short period, This may damage the light effect or even cause fire!




Safety Warnings

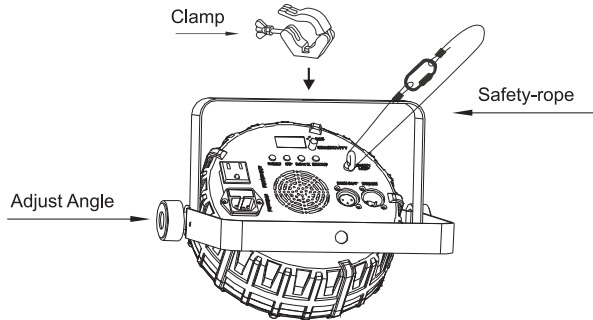
- ◆ Always connect the product to a grounded circuit to avoid the risk of electrocution.
 - ◆ Always disconnect the product from the power source before cleaning or replacing the fuse.
 - ◆ Avoid direct eye exposure to the light source while the product is on.
 - ◆ Make sure the power cord is not crimped or damaged.
 - ◆ Never disconnect the product from power by pulling or tugging on the cord.
 - ◆ If mounting the product overhead, always secure to a fastening device using a safety cable.
 - ◆ Make sure there are no flammable materials close to the product when operating.
 - ◆ Do not touch the product's housing when operating because it may be very hot.
-  Keep this User Manual for future use. If you sell the product to another user, be sure to give this document to the next owner.

Overhead Rigging

 **Attention!** The installation must be carried out by qualified service personal only. Improper installation can result in serious injuries and /or damage to property. Overhead rigging required extensive experience! Working load limits should be respected, Certified installation materials should be used, the installed device should be inspected regularly for safety.

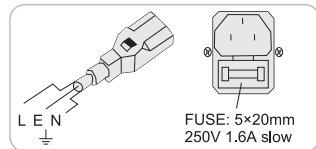
- ◆ Make sure the area below the installation place is free from unwanted persons during rigging, de-rigging and servicing.
- ◆ Locate the fixture in a well ventilated spot, far away from any flammable materials and/or liquids. The fixture must be fixed at least 20cm from surrounding walls
- ◆ The device should be installed out of reach of people and outside areas where persons may walk by or be seated.
- ◆ The device should be well fixed; a free swinging mounting is dangerous and may not be considered!
- ◆ Do not cover any ventilation opening as this may result in overheating
- ◆ Before the first time use, it must be inspected by professional staff to make sure safety, inspection regularly every year.

 Before rigging make sure that installation area can hold the 10 times weight of device. Using the steel rope which can hold 12 times weight of device, through the eye-bolt for assisting hang installment.




AC Power

Please use the attached power, note that power voltage and frequency are the same as the marked voltage and frequency of device when connecting power. Every device's power should be connected separately, so that device can be controlled individually.



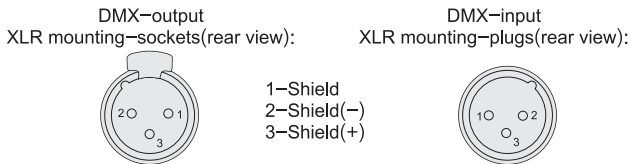
Cable spec.:

Cable(EU)	Cable(US)	Pin	International
Brown	Black	Live	L
Light blue	White	Neutral	N
Yellow/Green	Yellow/Green	Earth	

Product Installation / Remote operation instruction

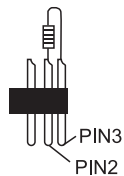
DMX-512 connection

- ◆ Connection between lights and DMX must use the shielded cable of diameter more than 0.5mm. Please use the attached 3 pin XLR plug/socket to connect the DMX output/input interface. The connection between socket and cable as below(note the plug/socket's 3 pin number and position).

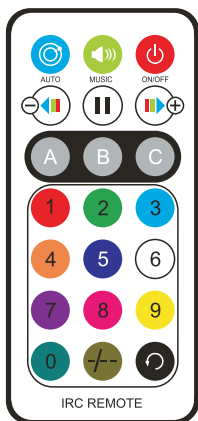


- ◆ Note, XLR plug/socket's 3pin can not be touched by inner hull, connection between pins is not allowed. Except above connection, XLR plug/socket can not be connected with XLR control line. Device receives international standard DMX512(1990) control signal.

- ◆ When using standard DMX512 control signal, the last device's output interface must be connected to a DMX plug. This plug is putting a 120 ohm resistance between "canon" plug's 2 pin and 3 pin. Showing as below pic. Sticking this plug into the last device's signal output interface, it will avoid the interference during the process of signal transmission.



Remote controller

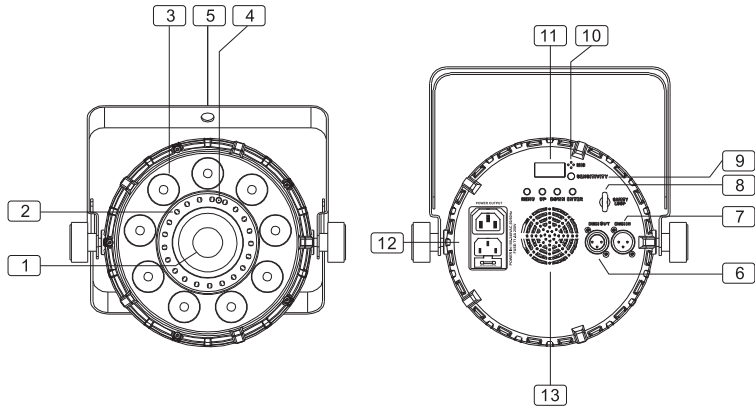


- ON /OFF
- Auto mode p 1-p17
- Sound mode s1-s13
- Pause
- Static color C1-C23
- Adjust the speed of auto program. 0 is the lowest,9 is the fastest
- Auto / sound switching

Remark: Automatically save last function if no activate after 2 second . Color mode can't save.

Operation instructions

Operation instructions



NO	Name	Function
1	COB LED	30W × 1pcs
2	Strobe LEDs	0.5W × 21pcs
3	PAR LEDs	8W-RGBUV 9pcs
4	IR remote receiver	The receiver of remote controller
5	Mounting bracket	With 2 knobs on both sides to fasten the unit and a mounting hole to fix a mounting hook
6	DMX out	3PIN female XLR interface, for DMX communication
7	DMX in	3PIN male XLR interface, for DMX communication
8	Safety Loop	Attach the safety cable
9	Sensitivity Knob	Changing sound sensitivity by potentiometer
10	Microphone	Receiving the audio signal through a microphone, and positive response to the intensity by the potentiometer
11	LED Display	For setting modes
12	Power Input & Output	Power Input & Output socket, built-in protective tube and spare tube
13	Fan	Never cover this fan outlet

Menu operating instruction

LED display		Functional description
RUP	RUP	PAR light auto show(AP01-AP17)
	S01-S99	Setting effect speed. 01 is the slowest,99 is the fast east
SOP	SOP	PAR light sound show(SP01-SP13)
COL	COL	Colr manual adjustment
	r/G/B/W***	LED color setting
	S.00-S.99	Strobe speed; S.00: all on, S.01: the slowest, S.99: the fastest
dRH	02/06/09/22CH	Choosing DMX channel modes
	d***	Setting channel address
SLR	SLR	Master/Slave mode
SYS	LED S	LED power-saving operation mode. oN: Turn on nixie tube power-saving mode. oFF: Turn off nixie tube power-saving mode
	LED r	Reverse display. ON: Open reverse display mode OFF: Close reverse display mode
	rES	Restore the factory initial setup



Note: In sound model, device will close light in 5 seconds automatically, if there isn't any sound signal. Light on until sound signal received.

Initial Setting

MODE	UP DOWN	ENTER
Built-in Programs	AUTP PAR light auto show	Press UP/DOWN to select Auto program(P1-P17) press ENTER to confirm
Speed adjustment	Speed value: S01—S99, S01 is the slowest speed S99 is the fastest speed	Press UP/DOWN to adjust the program speed press ENTER to confirm
Color setting	R000-R255、G000-G255 B000-B255、U000-U255	Press UP/DOWN to select color press ENTER to confirm
DMX mode	02CH(d001-d511) 06CH(d001-d507) 09CH(d001-d503) 22CH(d001-d491)	Press UP/DOWN to select channels and value press ENTER to confirm
SLAVE mode	When choosing the SLAVE mode, through the DMX signal cable, the machine will follow the master's built-in program mode	If the letters are twinkling on the screen, that means no DMX signal, please check the cables.
System setting	LED power-saving operation mode	Press UP/DOWN to choose different modes, press ENTER to confirm
	Reverse display mode	
	Restore the factory initial setup	

DMX operation instructions

DMX Channels Chart



This device adopts large storage and high speed chip, which has been written lots of effect based on DMX application. **Before control other DMX channels, please be sure that the channel 1 was set in proper mode (value).**

2CH

Channel	Function	Value	Description
CH1	Program	000-005	Blackout
		006-019	P1/S1
		020-034	P2/S2
		035-048	P3/S3
		049-063	P4/S4
		064-077	P5/S5
		078-092	P6/S6
		093-106	P7/S7
		107-121	P8/S8
		122-135	P9/S9
		136-150	P10/S10
		151-164	P11/S11
		165-179	P12/S12
		180-293	P13/S13
		194-208	P14/S13
209-222	P15/S13		
223-237	P16/S13		
238-255	P17/S13		
CH2	Program Speed	000-250	Speed slow to fast
		251-255	Sound

6CH

Channel	Function	Value	Description
CH1	Zone & Center	000-255	Red brightness, 0-100%PWM
CH2		000-255	Green brightness, 0-100%PWM
CH3		000-255	Blue brightness, 0-100%PWM
CH4		000-255	UV brightness, 0-100%PWM
CH5	Strobe (Zone & Center)	000-005	No Strobe
		006-250	Strobe slow to fast
		251-255	Sound
CH6	White	000-005	No function
		006-020	On
		021-250	Strobe, slow to fast
		251-255	Sound-active strobe

9CH

Channel	Function	Value	Description
CH1	Zone	000-255	Red brightness, 0-100%PWM
CH2		000-255	Green brightness, 0-100%PWM
CH3		000-255	Blue brightness, 0-100%PWM
CH4		000-255	UV brightness, 0-100%PWM

DMX operation instructions

9CH

Channel	Function	Value	Description
CH5	Center	000-255	Red brightness, 0-100%PWM
CH6		000-255	Green brightness, 0-100%PWM
CH7		000-255	Blue brightness, 0-100%PWM
CH8	Strobe (Zone & Center)	000-005	No function
		006-250	Strobe, slow to fast
		251-255	Sound-active strobe
CH9	White	000-005	No function
		006-020	On
		021-250	Strobe, slow to fast
		251-255	Sound-active strobe

22CH

Channel	Function	Value	Description	
CH1	Zone 1	000-255	Red brightness, 0-100%PWM	
CH2		000-255	Green brightness, 0-100%PWM	
CH3		000-255	Blue brightness, 0-100%PWM	
CH4		000-255	UV brightness, 0-100%PWM	
CH5	Zone 1	000-005	No Strobe	
		006-250	Strobe slow to fast	
		251-255	Sound	
CH6	Zone 2	000-255	Red brightness, 0-100%PWM	
CH7		000-255	Green brightness, 0-100%PWM	
CH8		000-255	Blue brightness, 0-100%PWM	
CH9		000-255	UV brightness, 0-100%PWM	
CH10		Zone 2	000-005	No Strobe
			006-250	Strobe slow to fast
			251-255	Sound
CH11		Zone 3	000-255	Red brightness, 0-100%PWM
CH12			000-255	Green brightness, 0-100%PWM
CH13	000-255		Blue brightness, 0-100%PWM	
CH14	000-255		UV brightness, 0-100%PWM	
CH15	Zone 3	000-005	No Strobe	
		006-250	Strobe slow to fast	
		251-255	Sound	
CH16	Center	000-255	0-100%	
CH17		000-255	0-100%	
CH18		000-255	0-100%	
CH19		Center	000-005	No function
			006-250	Strobe, slow to fast
CH20	White	251-255	Sound-active strobe	
		000-005	No function	
		006-020	On	
		021-250	Strobe, slow to fast	
	White	251-255	Sound-active strobe	

DMX operation instructions / Product Parameter

Channel	Function	Value	Description
CH21	Program	000-005	blackout
		006-019	P1/S1
		020-034	P2/S2
		035-048	P3/S3
		049-063	P4/S4
		064-077	P5/S5
		078-092	P6/S6
		093-106	P7/S7
		107-121	P8/S8
		122-135	P9/S9
		136-150	P10/S10
		151-164	P11/S11
		165-179	P12/S12
		180-293	P13/S13
		194-208	P14/S13
		209-222	P15/S13
		223-237	P16/S13
238-255	P17/S13		
CH22	Program Speed	000-250	Program speed, slow to fast
		251-255	Sound-Active

Note: Channel 21 is blackout and channel 1-20 is active.

Specifications

Model	Scandlight DiscoPAR XL
Size	280×275×76mm
Weight	1.65Kg
Power	78W
Voltage	100-240V
LED	30W*1pcs 4W*9pcs= 0.5W*21pcs
DMX Channels	2/6/9/22

